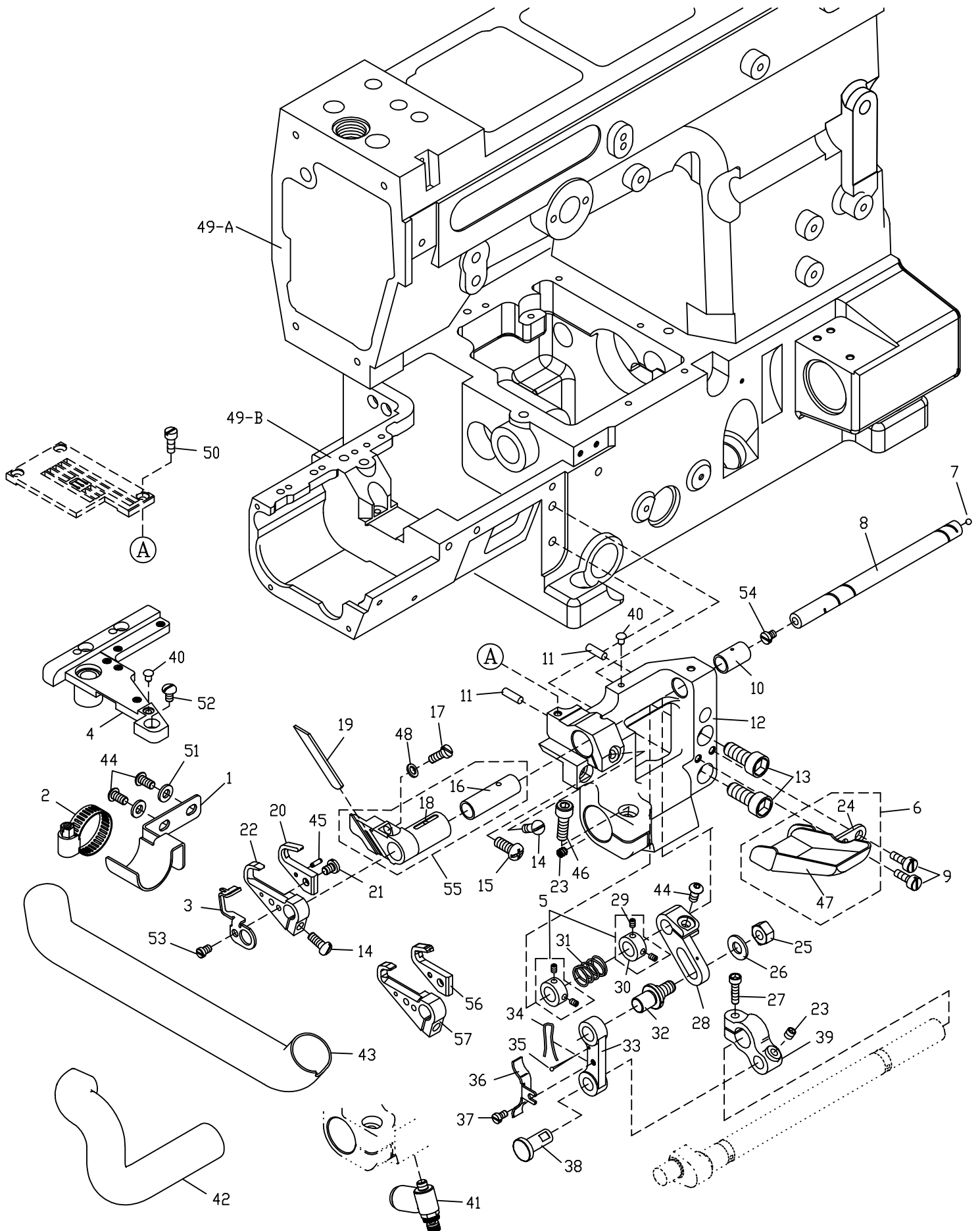


1. CT9311 / CTD9311 / CTU9311 上下刀驅動構列表

Left Hand Upier Driving Mechanise Components For CT9311 / CTD9311 / CTU9311



1. CT9311 / CTD9311 / CTU9311 下刀驅動構列表

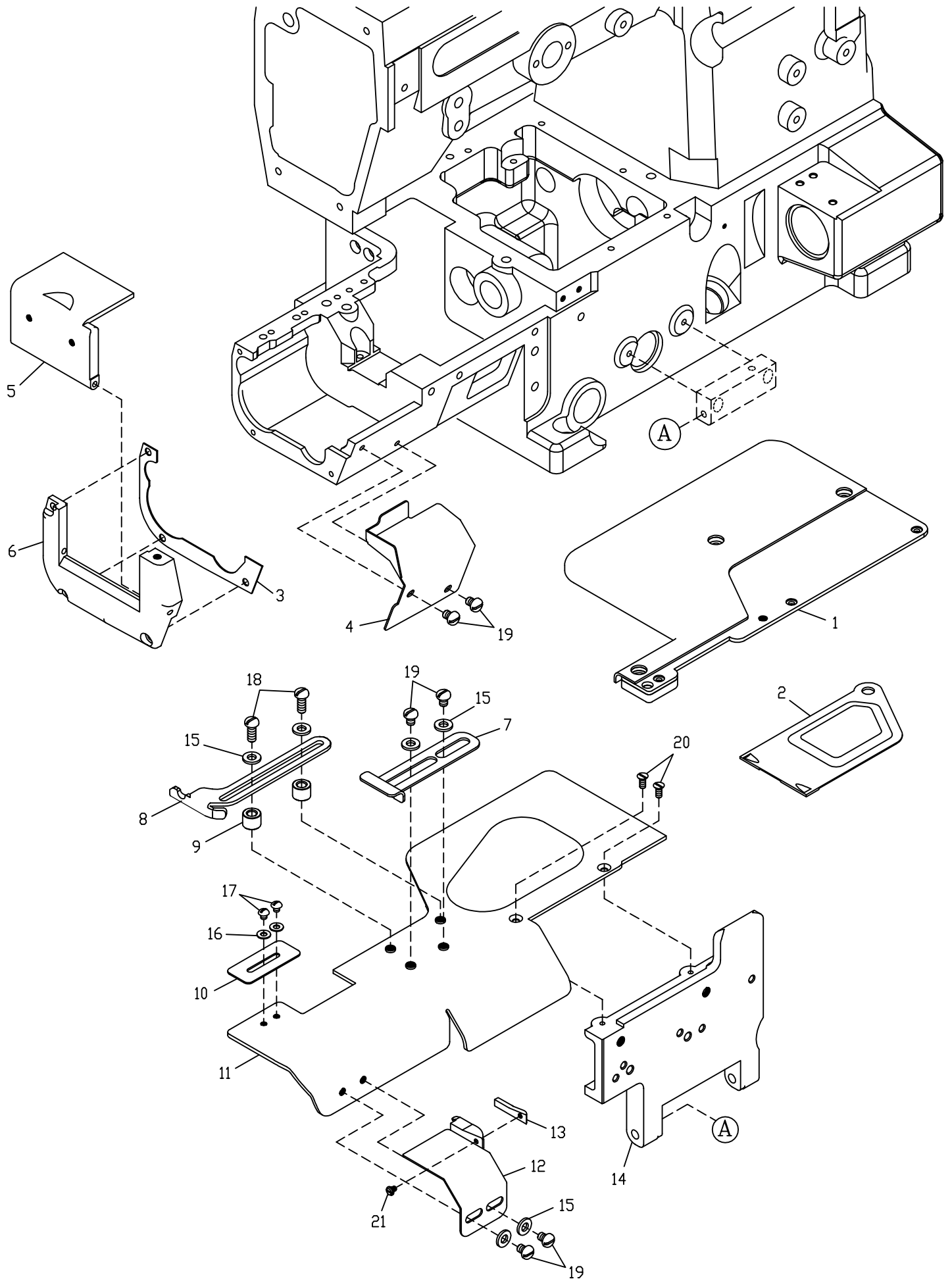
Left Hand Uper Driving Mechanise Components For CT9311 / CTD9311 / CTU9311

序號 Ref.No.	物料編號 Parts No.	名稱 Description	單位用量 Amt.Req.
1	2273110101	支架 Stitch Plate Support -----	1
2	2273110102	管束 Hose Clamp -----	1
3	22731101031	護指擋片 Safety Plate Holder -----	1
4	2273110104	針板座 Stitch Plate Support -----	1
5	221A0000563	定位環組 Collar Asm.(F0534A)-----	2
6	220611A0157	連桿護蓋組 Link Cover Asm. -----	1
7	2100001404	孔塞 Plug -----	1
8	2206110108	軸 Upper Knife Shaft -----	1
9	8MB04280807K	螺絲 Screw (CT0215 M4-0.7*8) -----	2
10	2206110110	軸襯 Upper Knife Shaft Bushing -----	1
11	90ST0410	定位銷 Knock Pin -----	2
12	2273110112	刀台 Lower Knife Holder Bracket -----	1
13	8MM06401610A	螺絲 Screw (CT0625 M6-1*16) -----	2
14	8MB04281007K	螺絲 Screw (CT1237 M4-0.7*10) -----	2
15	8MC05321209D	螺絲 Screw (C850212 M5-0.8*12) -----	1
16	2206110116	軸襯 Lower Knife Holder Bushing -----	1
17	8MB04281307A	螺絲 Screw (CT9311-01-17 M4-0.7*13) -----	1
18	2206110118	下刀刀座 Lower Knife Holder -----	1
19	2206110119	下刀 Lower Knife -----	1
20	2273110120	上刀 Upper Knife -----	1
21	8MB04280607A	螺絲 Screw (CT350202 M4-0.7*6) -----	1
22	22731101221	上刀座 Upper Knife Holder -----	1
23	8MN04280400A	螺絲 Screw (CT0229 M4-0.7*4) -----	2
24	2206110124	連桿護蓋 Link Cover(Lower) -----	1
25	8MA06400510A	螺帽 Nut (CT0533 M6-1*5) -----	1
26	2206110126	墊圈 Washer -----	1
27	8MM04281207A	螺絲 Screw (CT0202 M4-0.7*12) -----	1
28	2273110128	變距曲柄 Upper Knife Adjusting Lever -----	1
29	8MN03200300A	螺絲 Screw (CT0115 M3-0.5*3) -----	4
30	2210000534	隔環 Collar -----	2
31	2206110131	彈簧 Spring -----	1
32	2206110132	曲柄銷 Adjusting Lever Pin -----	1
33	2206110133	連桿 Link -----	1
34	66800	油線 Oil Wick -----	1
35	2206110135	銷 Oil Wick Pin -----	1
36	2206110136	壓板 Link Cover -----	1
37	8MB03200606K	螺絲 Screw (CT1207 M3-0.5*6) -----	1
38	2206110138	連結銷 Link Pin -----	1
39	2206110139	連桿 Link -----	1
40	22100001191	減震橡膠 Rubber Cushion -----	2
41	2273110141	節流閥 Speed Controller -----	1
42	2273110142	吸風管 Suction Pipe -----	1
43	2273110143	吸風管 Suction Pipe -----	1
44	8MP04280808A	螺絲 Screw (MT0235 M4-0.7*8) -----	3
45	90SP0206T	彈簧銷 Spring Pin -----	1
46	8MM05321609A	螺絲 Screw (RP0111 M5-0.8*16) -----	1
47	2206110147	防油擋片 Oil Defender -----	1
48	2206110148	墊圈 Washer -----	1
49	-----	車頭 Frame Unit (See The Table) -----	1
49-A	-----	上車頭 Upper Frame Unit (See The Table) -----	1
49-B	-----	下車頭 Lower Frame Unit (See The Table) -----	1
50	8MB85240605A	螺絲 Screw (CT1002 M3.5-0.6*6) -----	1
51	2100000223	墊圈 Washer -----	2
52	8MB85240607K	螺絲 Screw (CT0637 M3.5-0.6*6) -----	1
53	8MB85240406A	螺絲 Screw (UH0176 M3.5-0.6*4) -----	1
54	8MB04280507K	螺絲 Screw (FT0235 M4-0.7*5) -----	1
55	220611A0159	下刀刀座組 Lower Knife Holder Set. -----	1
*56	2273110156	上刀 Upper Knife -----	1
*57	2273110157	上刀座 Upper Knife Holder -----	1

* 特註品 Custom-made Item

序號 Ref.No. / 機型 Model	CT9311	CTD9311	CTU9311
49	2273110149	2243110149	2244310149
49-A	2270000135A	2240000135A	2244110135A
49-B		2273110149B	

2. CT9311 / CTD9311 / CTU9311 護蓋及各項導模列表
 Conservation Covers And Guide Components For CT9311 / CTD9311 / CTU9311

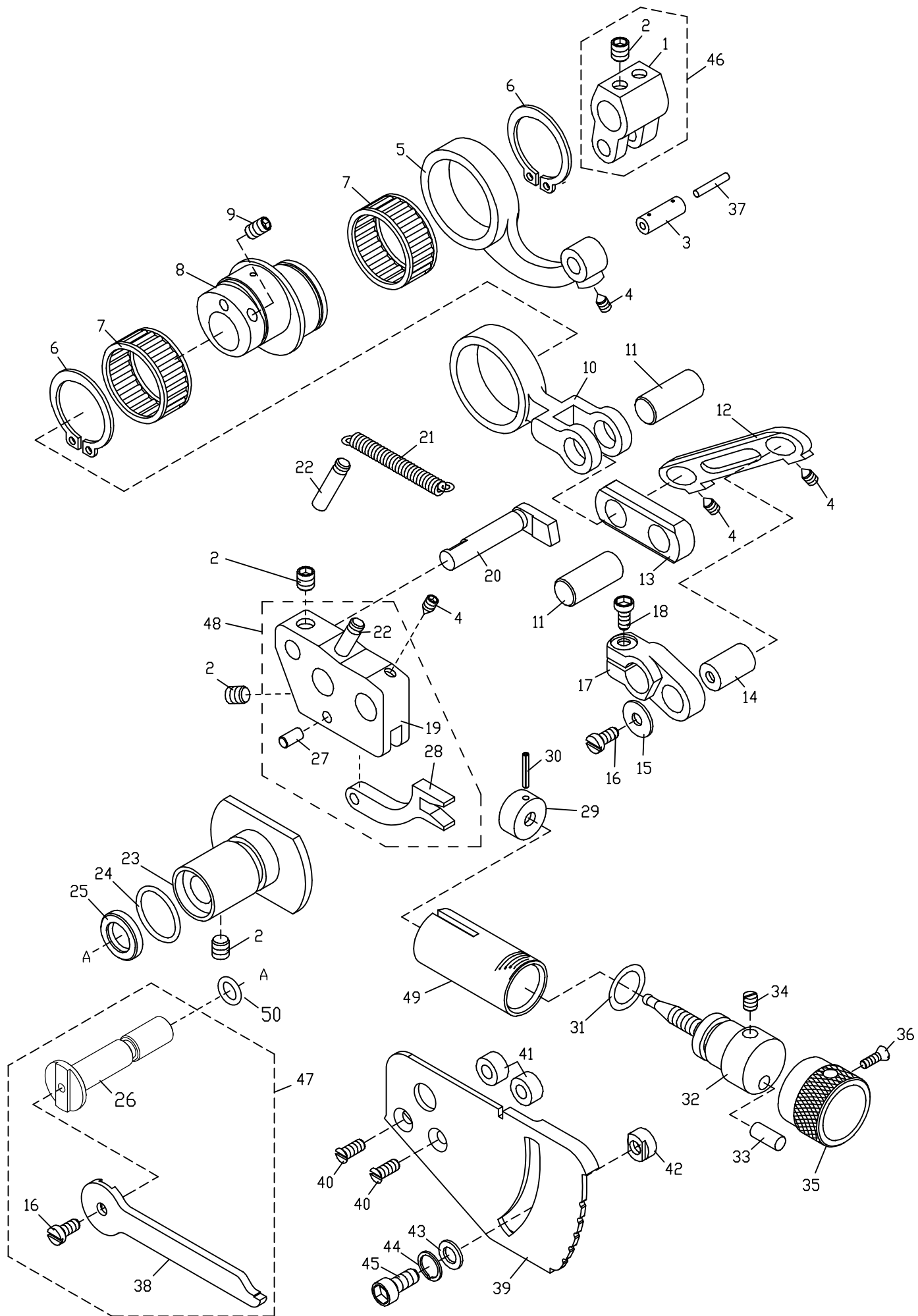


2. CT9311 / CTD9311 / CTU9311 護蓋及各項導模列表

Conservation Covers And Guide Components For CT9311 / CTD9311 / CTU9311

序號 Ref.No.	物料編號 Parts No.	名稱 Description	單位用量 Amt.Req.
1	2273110201	下軸外蓋 Cloth Plate -----	1
2	2273110202	防塵蓋 Dust Cover -----	1
3	2273110203	油封 Gasket -----	1
4	2273110204	導模 Edge Guide -----	1
5	2273110205	下軸側蓋 Side Cover -----	1
6	2273110206	固定座 Bucket -----	1
7	2273110207	導模 Edge Guide -----	1
8	22061102082	導模 Edge Guide -----	1
9	2273110209	間隔環 Space Washer -----	2
10	2273110210	護蓋 Cover -----	1
11	2273110211	護線蓋 Cloth Plate -----	1
12	2603110212	導模 Edge Guide -----	1
13	2273110213	導模 Edge Guide -----	1
14	2273110214	下座前蓋 Front Cover -----	1
15	2100000223	墊圈 Washer -----	6
16	2210000547	墊圈 Washer -----	2
17	8MD03200306A	螺絲 Screw (CT0242 M3-0.5*3) -----	2
18	8MB04281007K	螺絲 Screw (CT1237 M4-0.7*10) -----	2
19	8MB04280507K	螺絲 Screw (FT0235 M4-0.7*5) -----	6
20	8ME03200706X	螺絲 Screw (CT02351 M3-0.5*7) -----	2
21	8SB24560305A	螺絲 Screw (SH1045 3/32"-56*3) -----	1

3. CT9311 / CTD9311 / CTU9311 進給變換機構 Feed Control Driving For CT9311 / CTD9311 / CTU9311

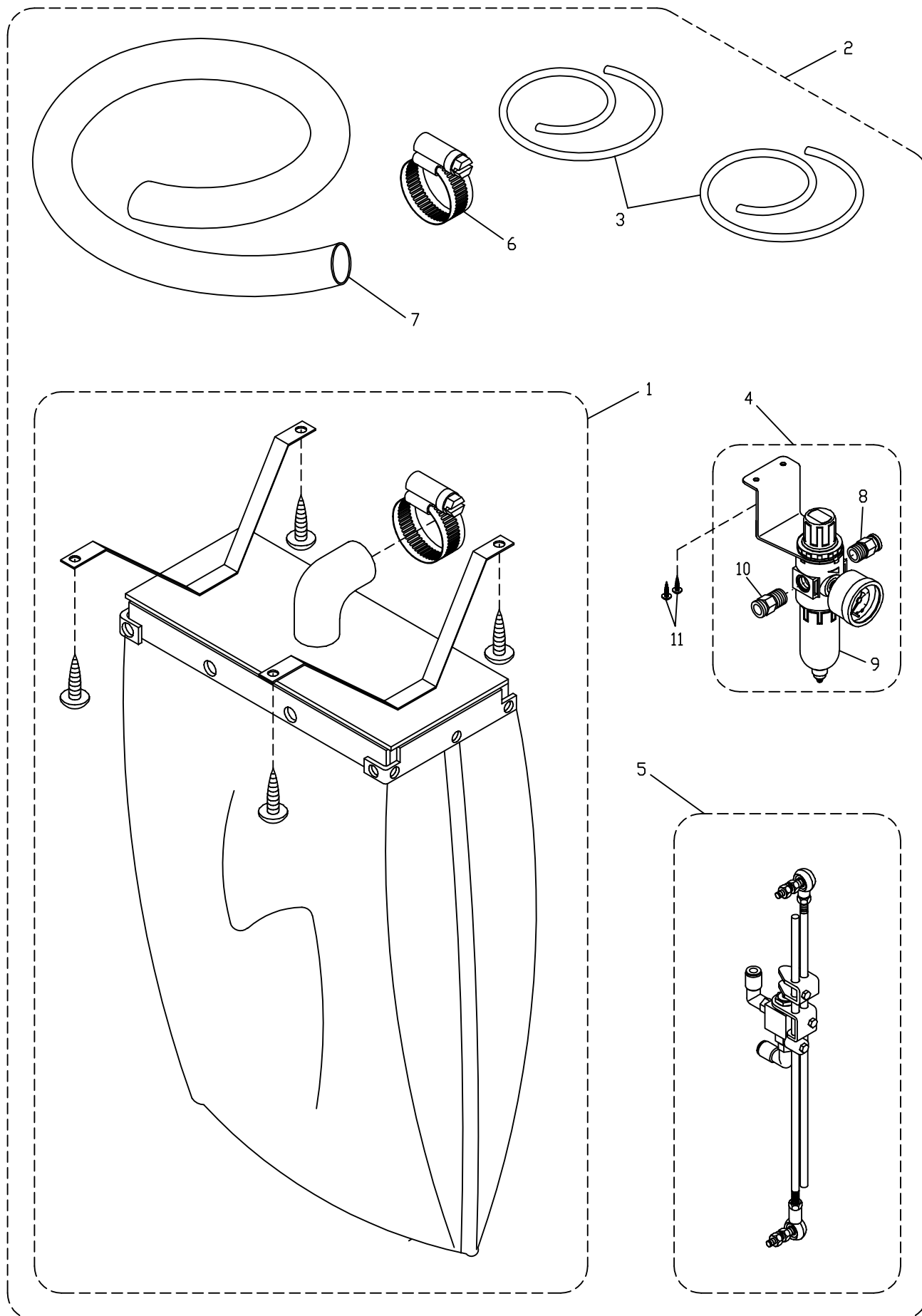


3. CT9311 / CTD9311 / CTU9311 進給變換機構

Feed Control Driving For CT9311 / CTD9311 / CTU9311

序號 Ref.No.	物料編號 Parts No.	名稱 Description	單位用量 Amt.Req.
1	2200001101	曲柄 Lever -----	1
2	8MN06400600A	螺絲 Screw (CT0244 M6-1*6) -----	5
3	2200001103	曲柄銷 Rod Pin -----	1
4	8MN04280600C	螺絲 Screw (CT1104 M4-0.7*6) -----	4
5	2200001105	連桿 Rod -----	1
6	2200001106	C形軸用扣環 C Ring -----	2
7	90NB252910	滾針軸承 Needle Bearing -----	2
8	2200001108	偏心輪 Eccentric -----	1
9	8MN05320500E	螺絲 Screw (CT0903 M5-0.8*5) -----	2
10	2200001110	連桿 Rod -----	1
11	2200001111	連桿銷 Rod Pin -----	2
12	2200001112	連桿 Link -----	1
13	2200001113	連桿 Link -----	1
14	2200001114	曲柄銷 Lever Pin -----	1
15	2200001115	墊圈 Washer -----	1
16	8MB04280807K	螺絲 Screw (CT0215 M4-0.7*8) -----	2
17	2200001117	曲柄 Lever -----	1
18	8MM04281207A	螺絲 Screw (CT0202 M4-0.7*12) -----	1
19	2200001119	承座 Bracket -----	1
20	2200001120	懸臂式滑軌 Guide -----	1
21	2200001121	彈簧 Spring -----	1
22	2200001122	彈簧掛鉤 Pin -----	2
23	2200001123	軸襯 Bushing -----	1
24	90OR160	O形油環 O Ring -----	1
25	2200001125	油封 Oil Seal -----	1
26	2200001126	差動游標軸 Shaft -----	1
27	90ST0410	連桿銷 Pin -----	1
28	2200001128	差動微調頂桿 Link -----	1
29	2200001129	引動螺帽 Nut -----	1
30	90SP0206	彈簧銷 Spring Pin -----	1
31	90OR120	O形油環 O Ring -----	1
32	2200001132	差動微調螺桿 Stud -----	1
33	2200001133	止動銷 Stopper Pin -----	1
34	8MH04280400A	螺絲 Screw (CT1134 M4-0.7*4) -----	1
35	2200001135	差動微調旋鈕 Knob -----	1
36	8ME03200606A	螺絲 Screw (CT0235 M3-0.5*6) -----	1
37	66800	油線 Oil Wick -----	1
38	2273110338	差動變換桿 Lever -----	1
39	2273110339	差動刻記板 Regulator Plate -----	1
40	8ME04281408A	螺絲 Screw (CT1140 M4-0.7*14) -----	2
41	2200001141	隔環 Spacer -----	2
42	2200001142	止動環 Stopper -----	1
43	2200001025	墊圈 Washer -----	1
44	90SW050	彈簧墊圈 Spring Washer -----	1
45	8MM05320809A	螺絲 Screw (CT1145 M5-0.8*8) -----	1
46	220A0001149	曲柄組 Lever Asm. -----	1
47	227A3110347	差動變換桿組 Lever Set -----	1
48	220A0001153	差動微調組 Link Set. -----	1
49	2200000421	刻線套管 Graduation Bushing -----	1
50	90OR070	O型油環 O Ring -----	1

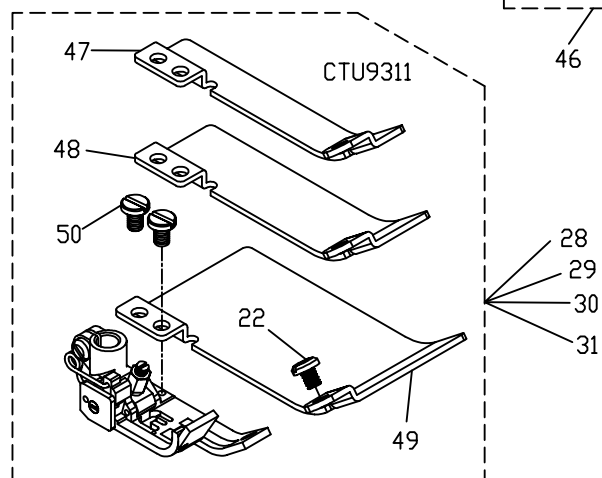
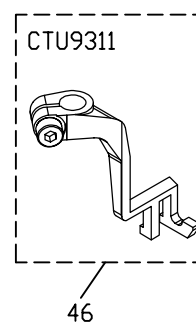
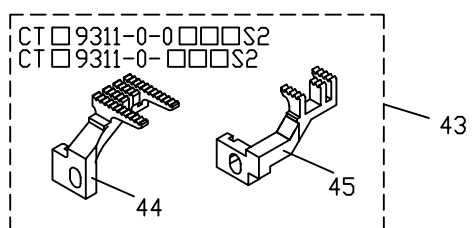
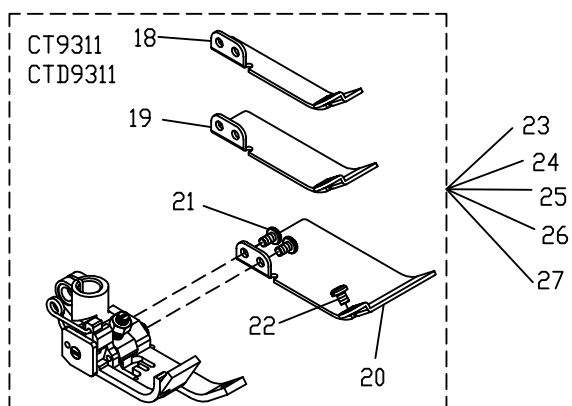
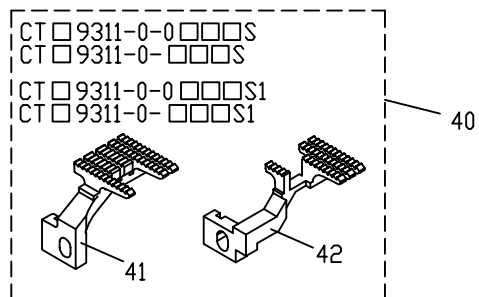
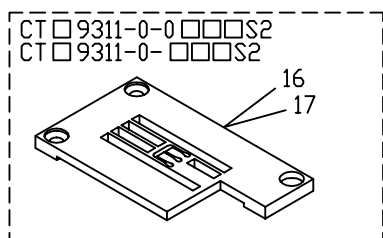
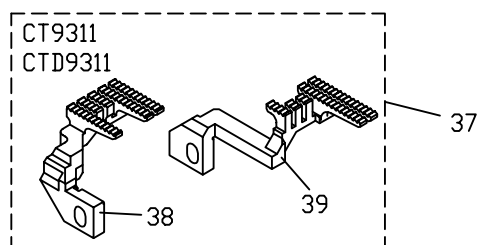
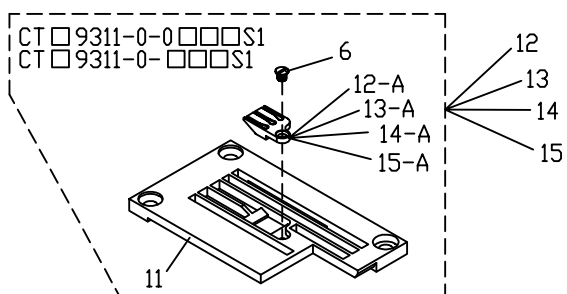
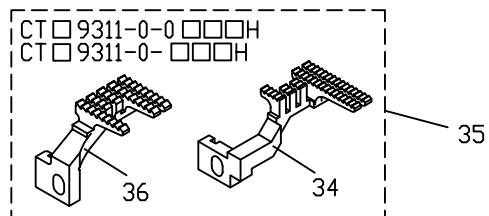
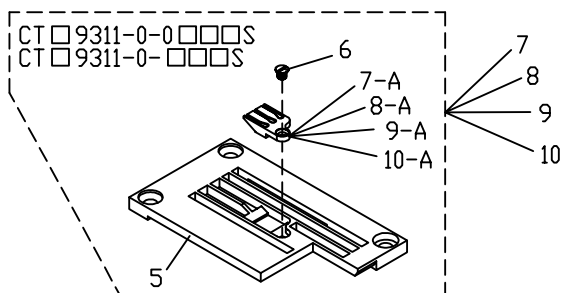
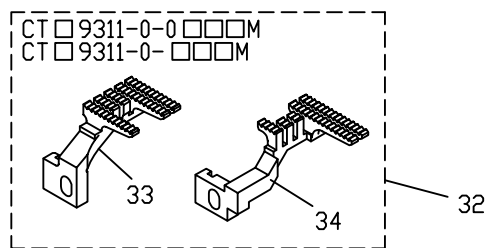
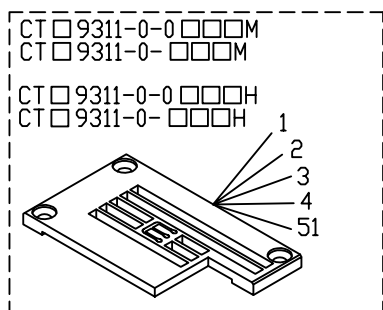
4. CT9311 / CTD9311 / CTU9311 / CX2311 / CXD2311 / CXM2311 / CXU2311
 CXN2311 / CX2311-1 / CXD2311-1 / CXM2311-1 / CXU2311-1 / CXN2311-1
 CT9811 / CTD9811 / CTU9811 集塵袋組 Lint Collector



4. CT9311 / CTD9311 / CTU9311 / CX2311 / CXD2311 / CXM2311 / CXU2311
 CXN2311 / CX2311-1 / CXD2311-1 / CXM2311-1 / CXU2311-1 / CXN2311-1
 CT9811 / CTD9811 / CTU9811 集塵袋組 Lint Collector

序號 Ref.No.	物料編號 Parts No.	名稱 Description	單位用量 Amt.Req.
1	4CV0070101	布袋組 Bag Asm. -----	1
2	CV107	集塵袋組 Fabric bag Asm. -----	1
3	4CV0070103	φ 6空氣管 Air Tube (L= 1300mm) -----	2
4	4TCS09A0309	調壓濾水閥組 Regulator Asm. -----	1
5	4CV0070105	連桿組 Link Asm-----	1
6	4CV0070106	管束 Hose Clamp-----	1
7	4CV1070107	氣壓管 Tube (φ 22 Connector) -----	1
8	4AL0120103	φ 6空氣管接頭 Connector -----	1
9	4UTB0004321	調壓濾水閥 Regulator -----	1
10	4UTB010456	φ 8空氣管接頭 Connector -----	1
11	8WD30000015B	木螺絲 Wood Screw -----	2

5. CT9311 / CTD9311 / CTU9311 車型定規列表 Gauge Parts List



5. CT9311 / CTD9311 / CTU9311 車型定規列表 Gauge Parts List

序號 Ref.No.	物料編號 Parts No.	名稱 Description	單位用量 Amt.Req.
1	5227TPL1400	針板 Throat Plate (4.0)	1
2	5227TPL1480	針板 Throat Plate (4.8)	1
3	5227TPL1560	針板 Throat Plate (5.6)	1
4	5227TPL1640	針板 Throat Plate (6.4)	1
5	5222TPL156B	針板 Throat Plate	1
6	8SE24560303A	螺絲 Screw (CT3110159 3/32"-56*2.7)	1
7	5222TPL1402	針板組 Throat Plate Asm (4.0)	1
7-A	5222TPL140A	針板舌 Stitch plate Tongue (4.0)	1
8	5222TPL1482	針板組 Throat Plate Asm (3 needle 4.8)	1
8-A	5222TPL148A	針板舌 Stitch plate Tongue (3 needle 4.8)	1
9	5222TPL1562	針板組 Throat Plate Asm (5.6)	1
9-A	5222TPL156A	針板舌 Stitch plate Tongue (5.6)	1
10	5222TPL1642	針板組 Throat Plate Asm (6.4)	1
10-A	5222TPL164A	針板舌 Stitch plate Tongue (6.4)	1
11	5227TPL156B	針板 Throat Plate	1
12	5227TPL1402	針板組 Throat Plate Asm (4.0)	1
12-A	5222TPL140C	針板舌 Stitch plate Tongue (4.0)	1
13	5227TPL1482	針板組 Throat Plate Asm (3 needle 4.8)	1
13-A	5222TPL148C	針板舌 Stitch plate Tongue (3 needle 4.8)	1
14	5227TPL1562	針板組 Throat Plate Asm (5.6)	1
14-A	5222TPL156C	針板舌 Stitch plate Tongue (5.6)	1
15	5227TPL1642	針板組 Throat Plate Asm (6.4)	1
15-A	5222TPL164C	針板舌 Stitch plate Tongue (6.4)	1
16	5227TPL1561	針板 Throat Plate (5.6)	1
17	5227TPL1641	針板 Throat Plate (6.4)	1
18	5222PFL156J	輔助壓腳底 Hinged Type Presser Foot	1
19	5222PFL156K	輔助壓腳底 Hinged Type Presser Foot	1
20	5222PFL156L	輔助壓腳底 Hinged Type Presser Foot	1
21	8SB24560405A	螺絲 Screw (SH0413 3/32"-56*4)	2
22	8SB24560305A	螺絲 Screw (SH1045 3/32"-56*3)	1
23	5222PFL1400	壓腳組 Presser Foot Asm (4.0)	1
24	5222PFL1480	壓腳組 Presser Foot Asm (4.8)	1
25	5222PFL1481	壓腳組 Presser Foot Asm ((3 needle 4.8))	1
26	5222PFL1560	壓腳組 Presser Foot Asm (5.6)	1
27	5222PFL1640	壓腳組 Presser Foot Asm (6.4)	1
28	5227PFTL1401	壓腳組 Presser Foot Asm (4.0)	1
29	5227PFTL1481	壓腳組 Presser Foot Asm ((3 needle 4.8))	1
30	5227PFTL1561	壓腳組 Presser Foot Asm (5.6)	1
31	5227PFTL1641	壓腳組 Presser Foot Asm (6.4)	1
32	5220DG0012	送布齒組 Feed Dog Set	1
33	5220FDL1561	主送布齒 Main Feed Dog	1
34	5220DFL1561	副送布齒 Diff Feed Dog	1
35	5227DG0004	送布齒組 Feed Dog Set	1
36	5227FDL1561	主送布齒 Main Feed Dog	1
37	5227DG0007	送布齒組 Feed Dog Set	1
38	5227FDL1560	主送布齒 Main Feed Dog	1
39	5227DFL1561	副送布齒 Diff Feed Dog	1
40	5222DG0009	送布齒組 Feed Dog Set	1
41	5222FDL1560	主送布齒 Main Feed Dog	1
42	5222DFL1560	副送布齒 Diff Feed Dog	1
43	5222DG0011	送布齒組 Feed Dog Set	1
44	5222FDL1561	主送布齒 Main Feed Dog	1
45	5222DFL1561	副送布齒 Diff Feed Dog	1
46	5227DGTL1560	送布齒 Top Feed Dog	1
47	5227PFTL156J	輔助壓腳底 Hinged Type Presser Foot	1
48	5227PFTL156K	輔助壓腳底 Hinged Type Presser Foot	1
49	5227PFTL156L	輔助壓腳底 Hinged Type Presser Foot	1
50	8SB24560404A	螺絲 Screw (FT1001 3/32"-56*3.8)	2
51	5227TPL1481	針板 Throat Plate (3 needle 4.8)	1